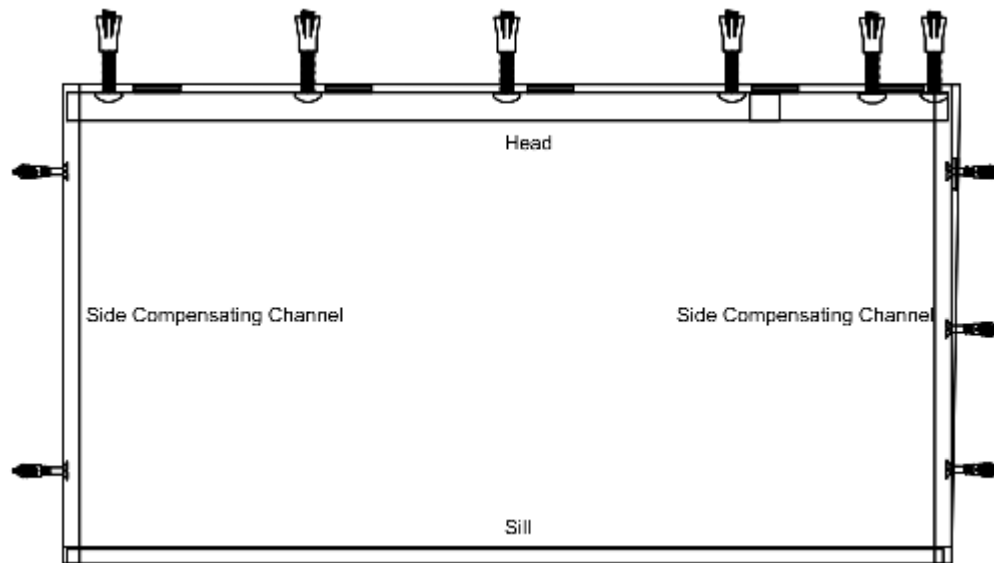


EZEE LOCK

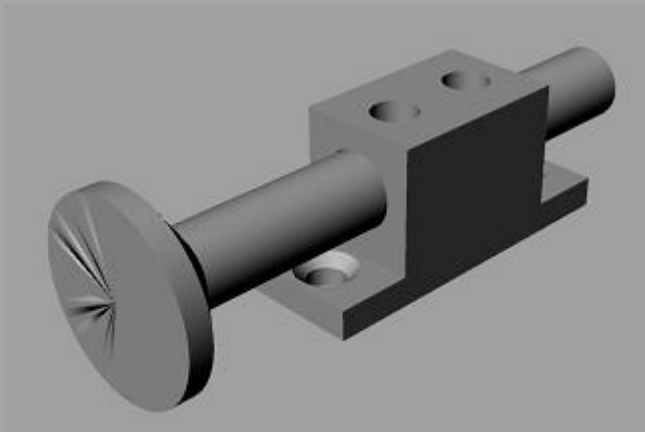
INSTALLATION

Ensure that the outer frame (*Head profile, Sill profile and side Compensating channels*) has been installed as stipulated in the Paragon Installation Manual.



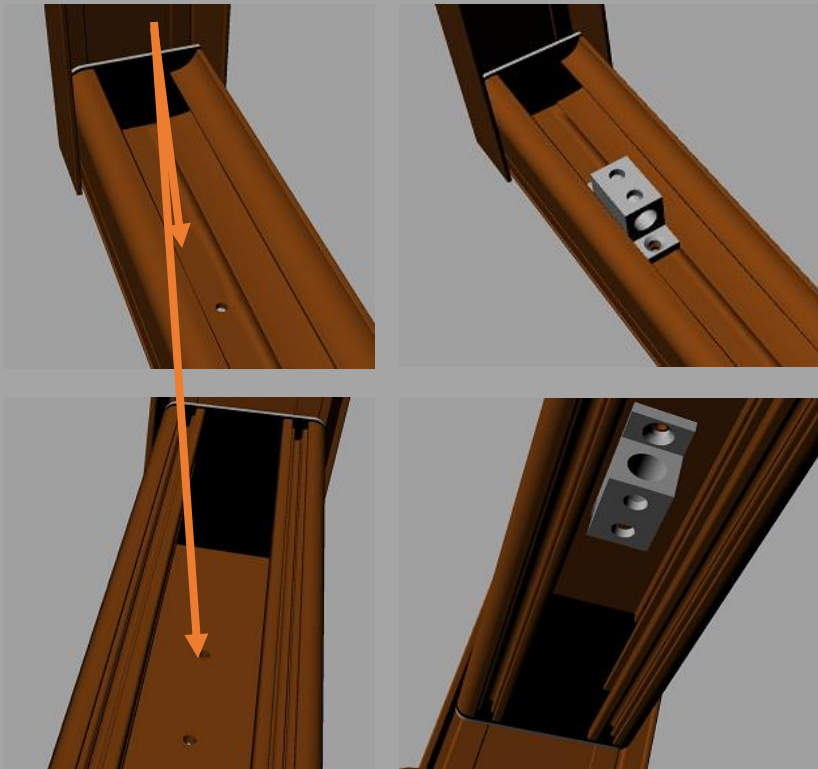
As soon as the 'outer frame' has been installed and leveled out according to the Paragon Installation Manual, the 'Paragon – Ezee Lock Adjustable Stops' can be installed and fastened in the head- and sill profiles on the opening side of the system.

Paragon – Ezee Lock Adjustable Stop

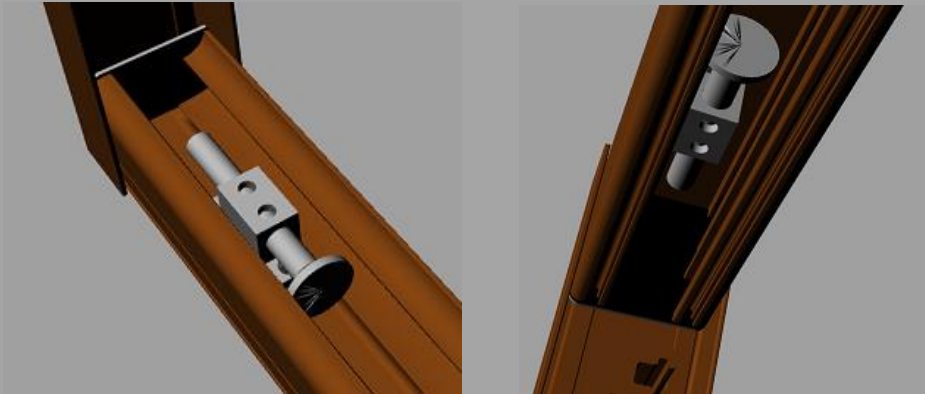


File Name: Ezee Lock – Installation.doc		Revision: 2
Revision date: 25-May-2016		Page: 1 of 14

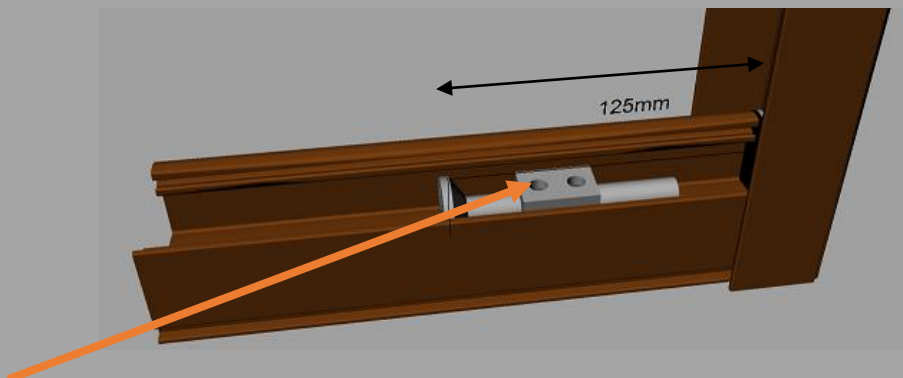
Ensure that the 'Paragon – Ezee Lock Adjustable Stops' are mounted and fastened using the pre-drilled fixing holes in the head- and sill profiles.



After the body of the adjustable stop has been fastened, insert the bolt through the body of the 'adjustable stops'.

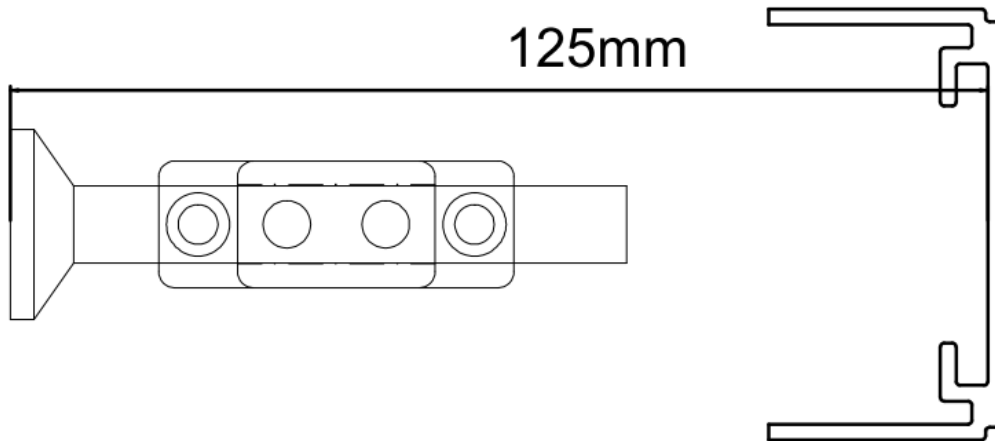


Ensure that the front of the bolt is initially set 125mm away from the side 'compensating channel'.

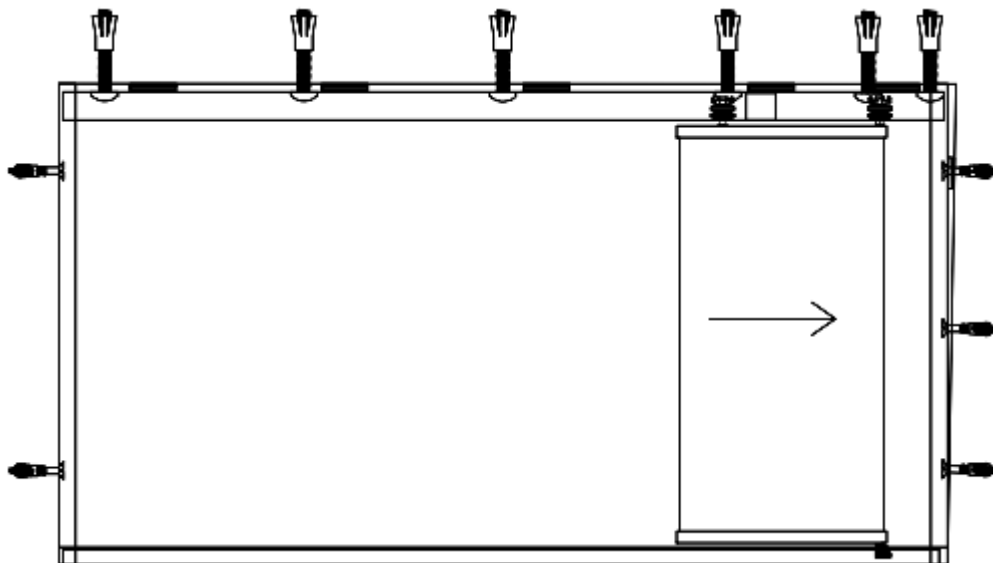


Use the 2 'grub screws' on the 'adjustable stops' to fix the bolts in place. **The bolt will be set further at a later stage of the installation.**

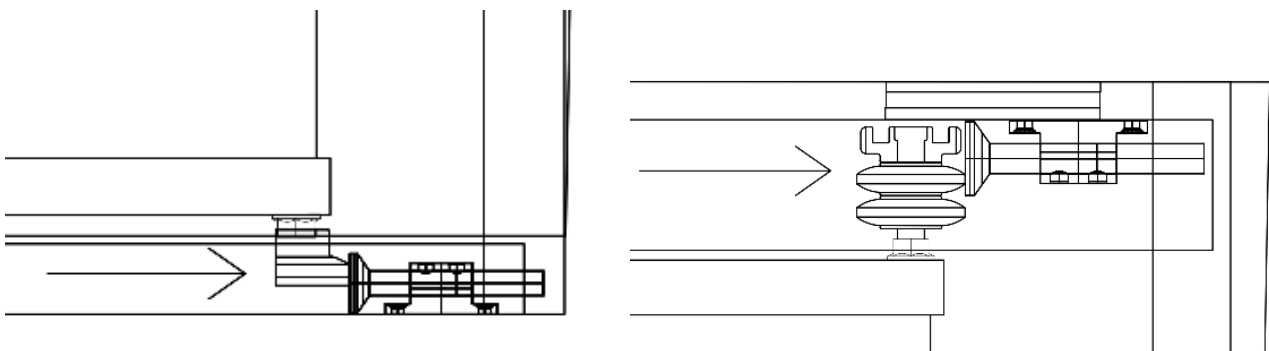
Please take note from where the 125mm measurement should be taken, to ensure that the bolt of the 'adjustable stop' is in the correct position.



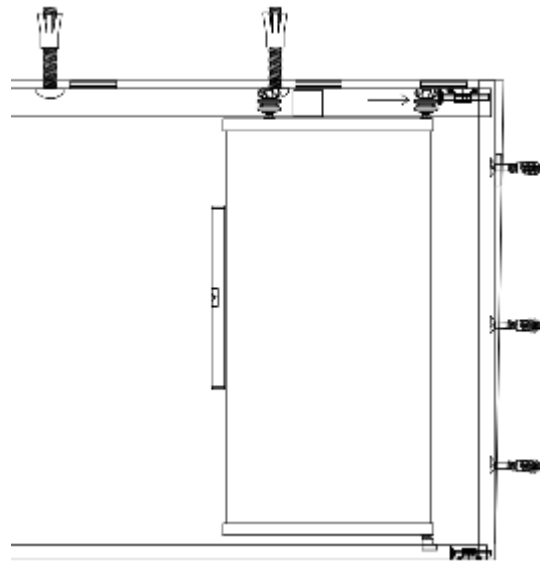
Insert the 'opening panel' in the head and sill profiles.



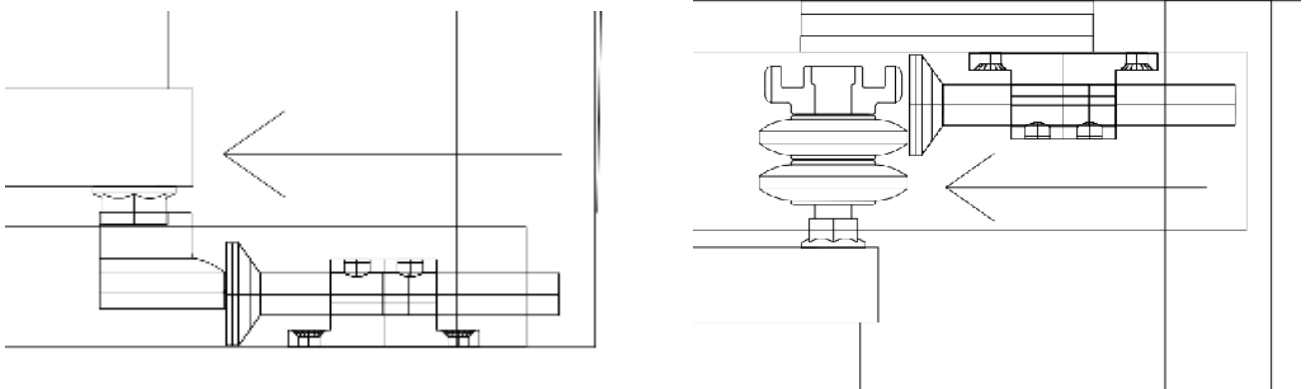
Slide panel towards the 'adjustable stops'. Ensure that when sliding it back, the top and bottom 'wheel assemblies' locates against the 'adjustable stops' in the head and sill profile, as shown below.



When the opening panels' top and bottom 'wheel assemblies' is located up against the 'adjustable stops', place a level on the side of the 'opening panel' to ensure that the 'opening panel' is level.

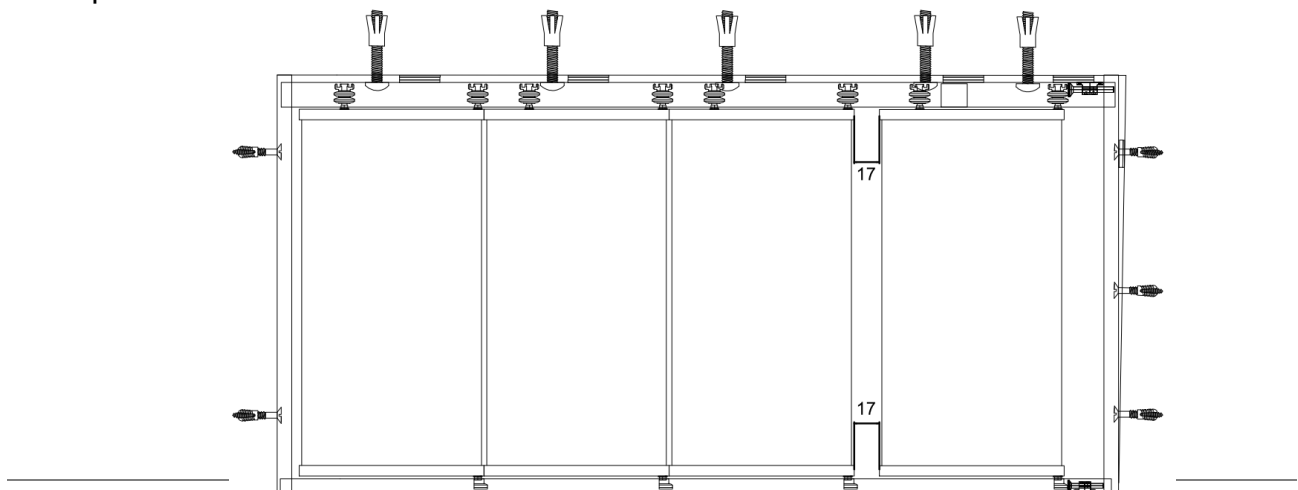


If not, level adjust either the top or the bottom 'adjustable stop' forward, towards the 'opening panel', in order to level the 'opening panel' out.

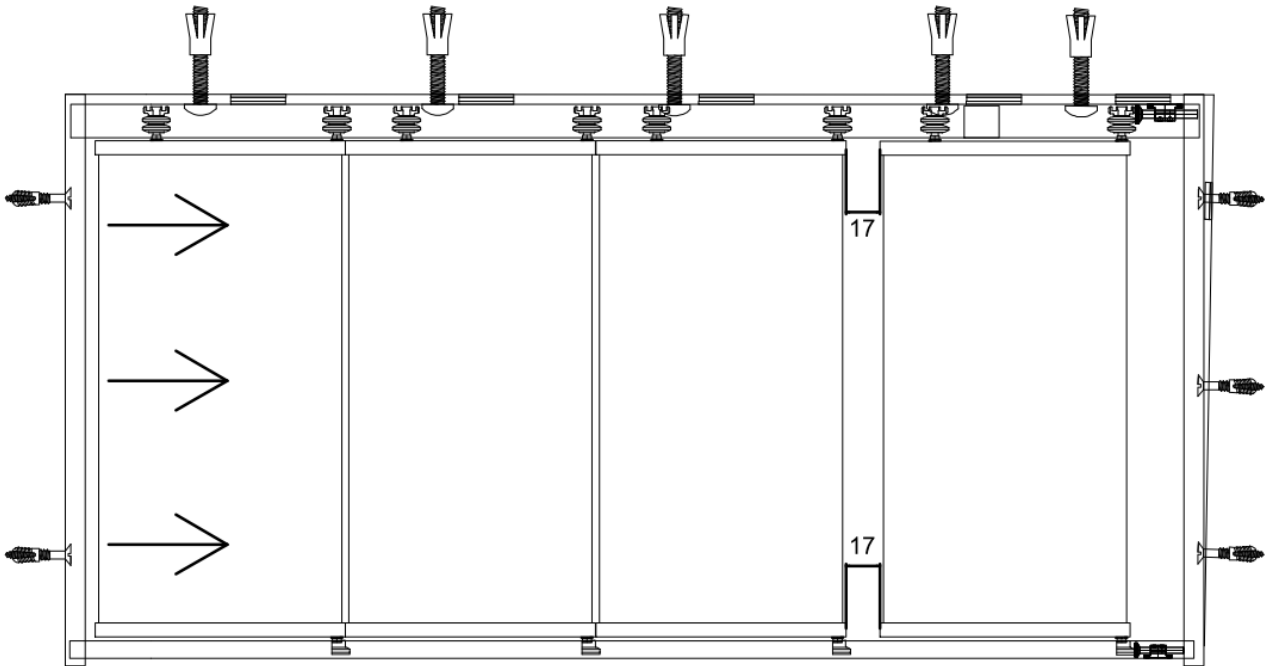


After the 'opening panel' has been leveled out, ensure that the 'grub screws' on both 'adjustable stops' are properly fastened to prevent any movement.

After the rest of the panels have been installed, ensure that all the panels are closed, to determine the gap between the opening and the '2nd panel'. This gap should be 17mm at the top and bottom.

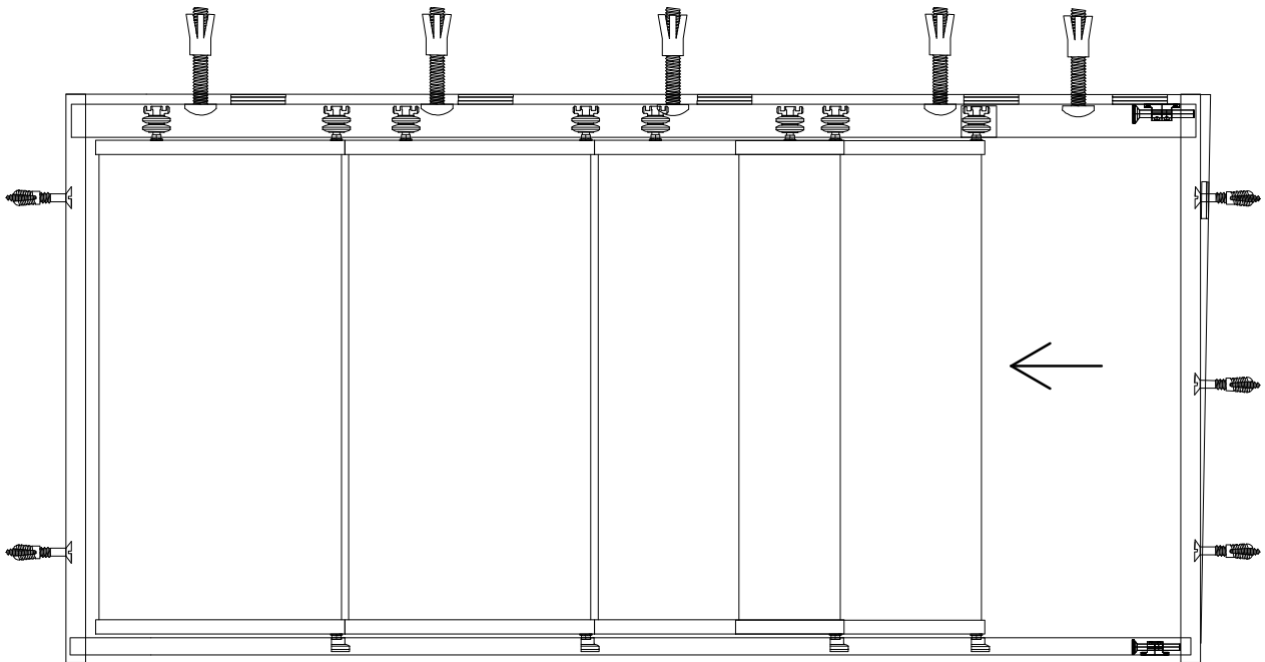


If the gaps between the 'opening panel' and the '2nd panel' isn't 17mm, set the 'closing box' section until the gap is 17mm. If further setting is needed, the 'adjustable stops' can also be adjusted.

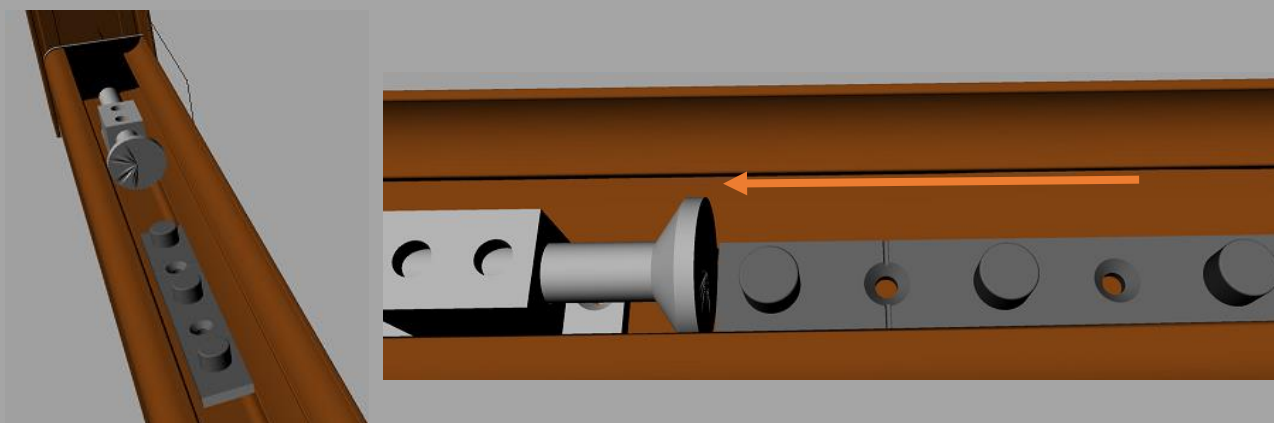


After the necessary settings of the system have been made, the 'hinge strip' head and sill can be installed.

In order to install the 'Paragon – Ezee Lock Hinge Strip Sill', pull the 'opening panel' forwards as below.

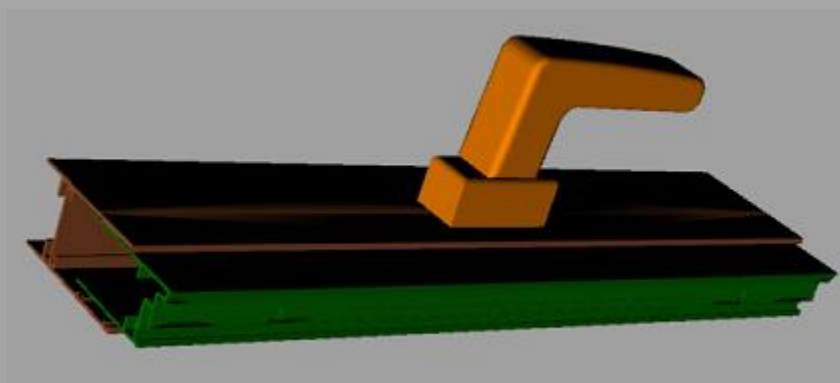


Place the 'hinge strip sill' in the 'sill profile'. Slide the 'hinge strip sill' backwards until it locates up against the 'adjustable stop'.



Fasten the 'hinge strip sill' into place by using the fastening positions as indicated on the 'hinge strip sill'.

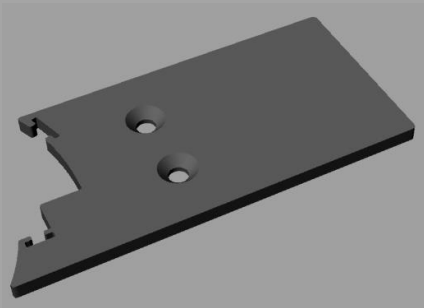
When the 'hinge strip sill' has been moved and fastened into place' the pre-assembled 'Paragon – Ezee Lock Assembly' (which includes the 'Ezee Lock mechanism', 'opening box sections' and handle) can be installed.



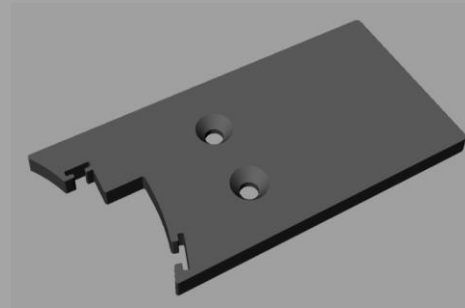
Before installing the 'Paragon – Ezee Lock Assembly', the 'Paragon – Ezee Lock Friction end caps' has to be installed.

Begin by attaching the 'Paragon – Ezee Lock End Cap Fixing Plate' to the 'opening box' section. As shown below there is two different types of 'friction end caps'. One for left and one for right. One of each will always be used per opening, with the determining factor of which is used at the top or bottom being the opening direction of the installed 'Paragon System'.

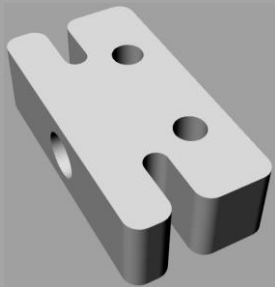
Paragon – Ezee Lock Friction End Cap – Left



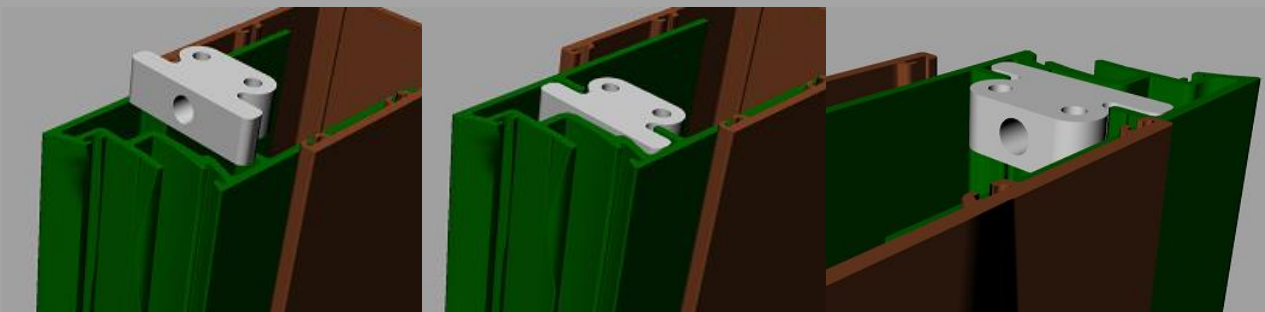
Paragon – Ezee Lock Friction End Cap - Right



Paragon – Ezee Lock End Cap Fixing Plate



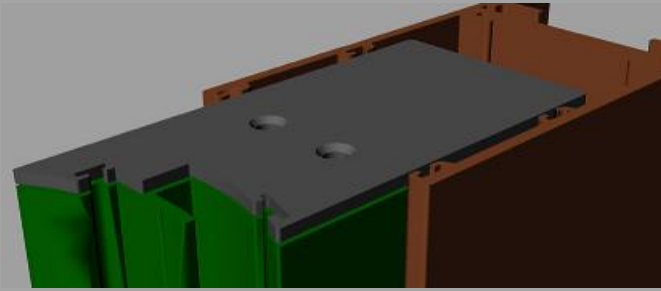
Line up the 'fixing plate' with the 'opening box section' as shown below.



Insert it into the 'opening box section' until it is flush with the 'opening box section'. Use the 'grub screw' provided with the 'fixing plate' to fasten the 'fixing plate' into place preventing it from moving.

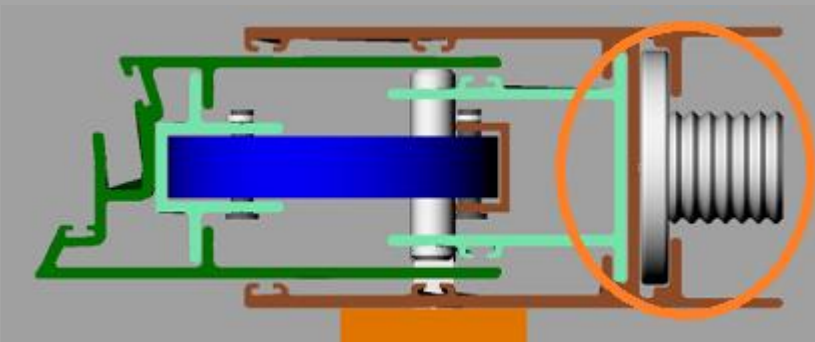
File Name:	Ezee Lock – Installation.doc	Revision:	2
Revision date:	25-May-2016	Page:	7 of 14

Finally attach either the 'end cap' left or right to the 'fixing plate' using the 'M4 countersunk bolt' provided.



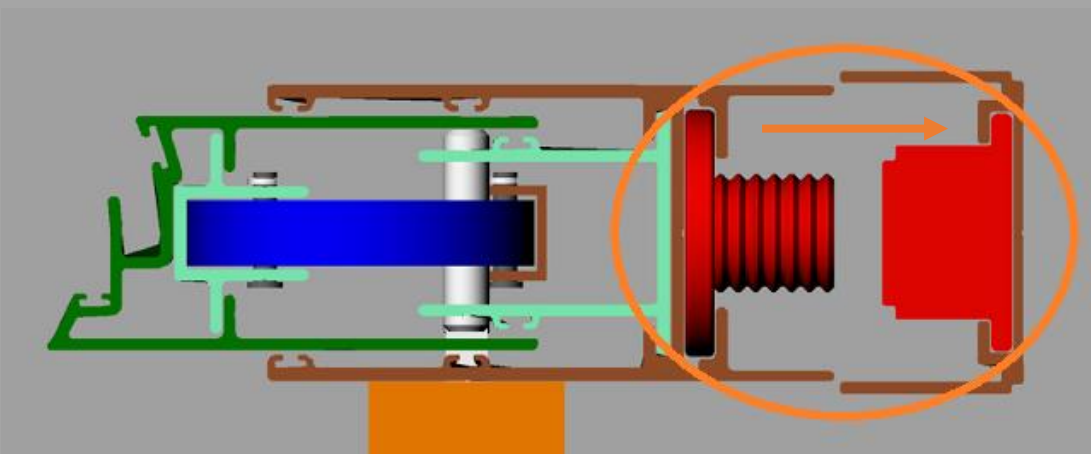
After this has been done, the assembly can now be inserted into the 'side compensating channel'.

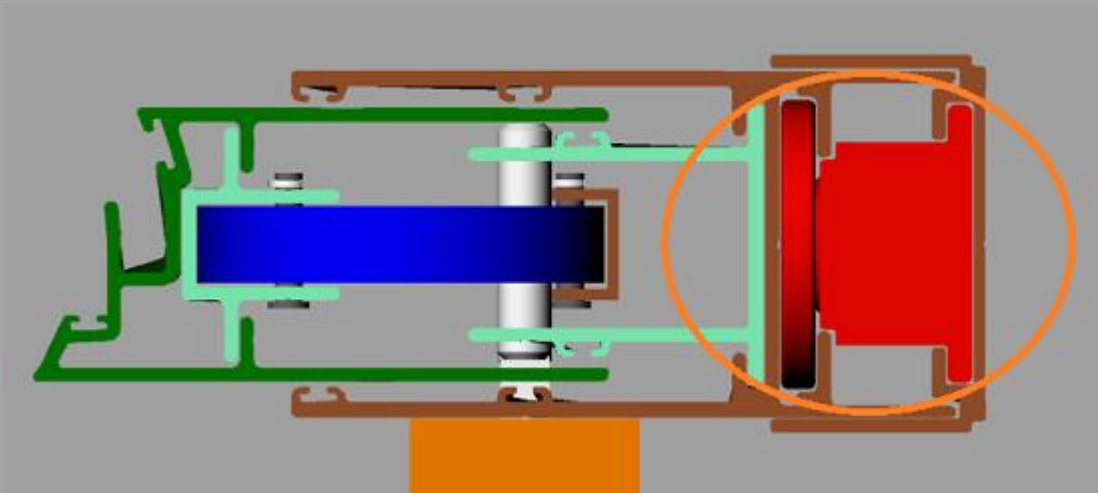
As indicated below ensure that the male part of the 'Paragon – Side compensating unit' is inserted into the 'Paragon – Ezee Lock Compensating box'.



The compensating units will be the parts that will allow you to adjust the 'Paragon – Ezee Lock assembly' according to your previously installed 'Paragon – Ezee Lock adjusters'.

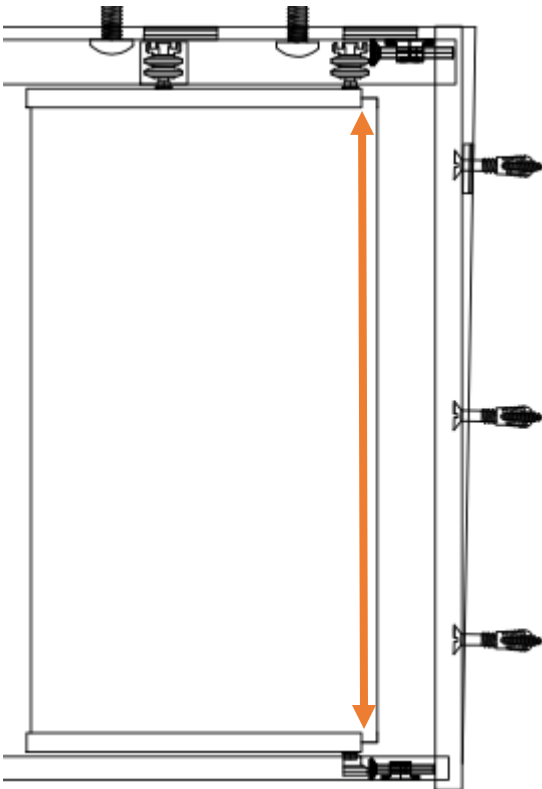
Attach the 'Paragon – Ezee Lock assembly' with the use of the 'compensating units' to the 'Paragon - Side Compensating channel'. Adjust the 'compensating units' all the way in as shown below.





Next attach the 'Paragon – Ezee Lock Opening Channel' to the side of the 'opening panel'.

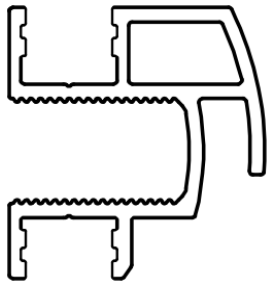
Cut the 'Paragon – Ezee Lock Channel Gasket'. Use the measurement in between the 'glazing section' attached to the 'opening panel' as indicated below.



Also cut the 'Paragon – Ezee Lock Opening channel' to size.

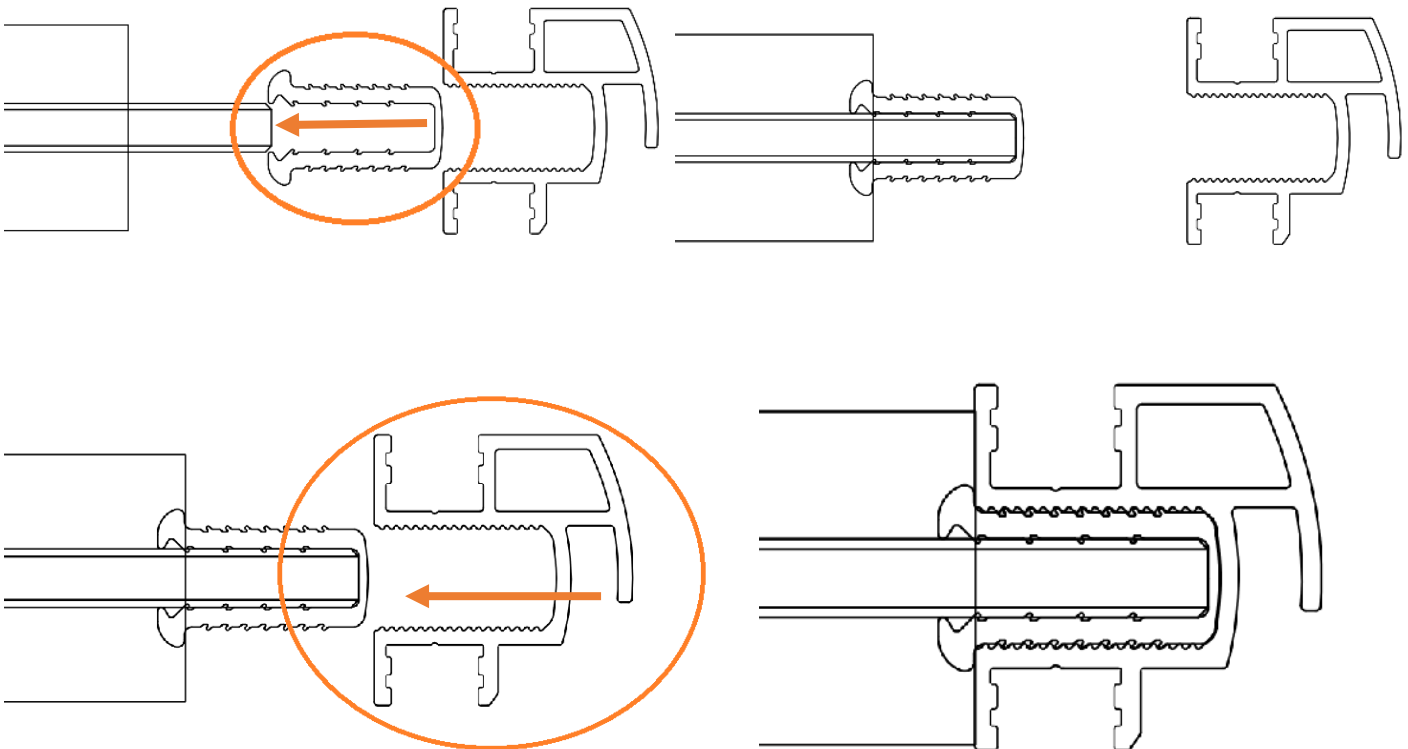
PAR-OPENCHAN-EZEE_M

Paragon - Ezee Lock Opening Channel (57518A) 3.2m - Mill – 6063



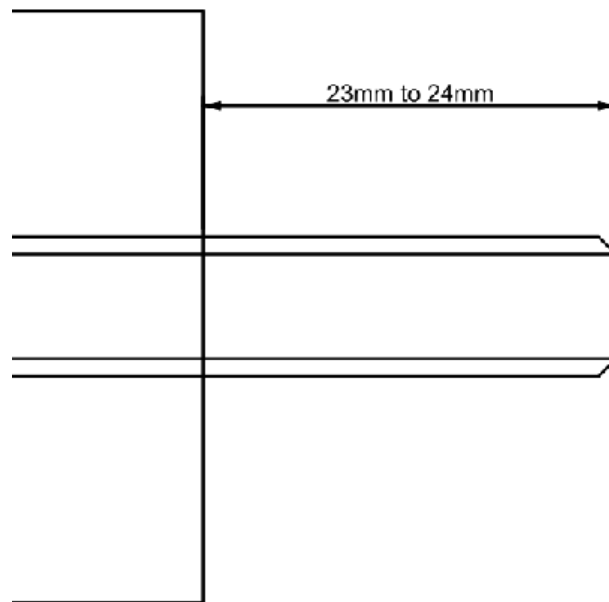
Use the measurement in between the 'top head profile' and the 'bottom sill profile'. Subtract 2mm (for clearance) from this measurement.

Place the 'channel gasket' on the edge of the glass and with the use of a mallet, evenly attach the 'opening channel' onto the panel.



The 'channel gasket' will create the grip between the glass and the 'opening channel'. **This can also be done prior to inserting the 'opening panel' into the 'outer frame'.**

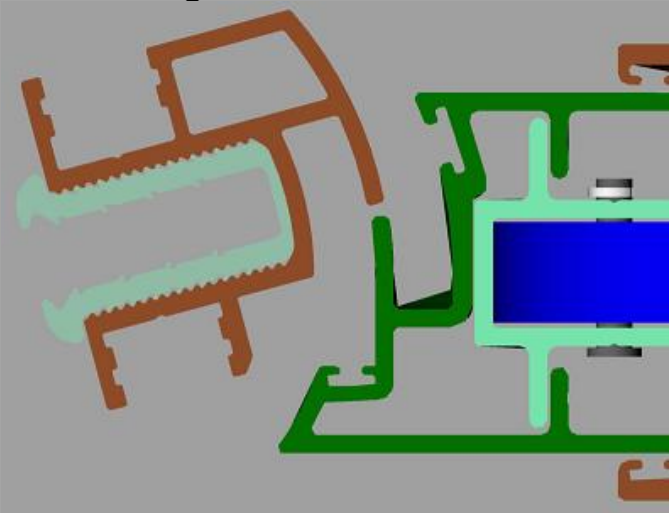
Take note that the glass needs to extend 23mm – 24mm pass the ‘glazing sections’ when panels are glazed as indicated below.



After the ‘opening channel’ has been attached to the ‘opening panel’, slide the opening back until the ‘wheelsets’ locates against the ‘adjustable stops’. Close the panel.

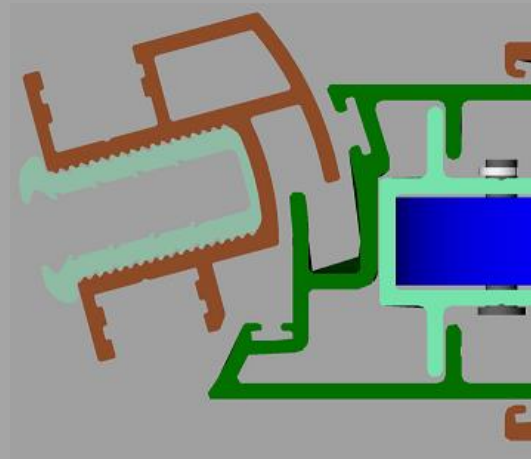
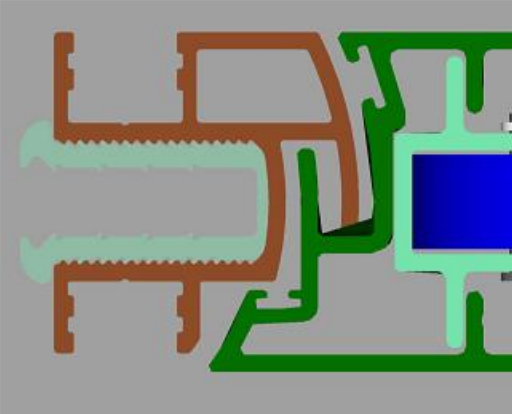
If the ‘opening channel’ does not locate into the ‘opening box section’, adjust the ‘opening box section’ forward with the use of the ‘compensating unit’.

Incorrect alignment:



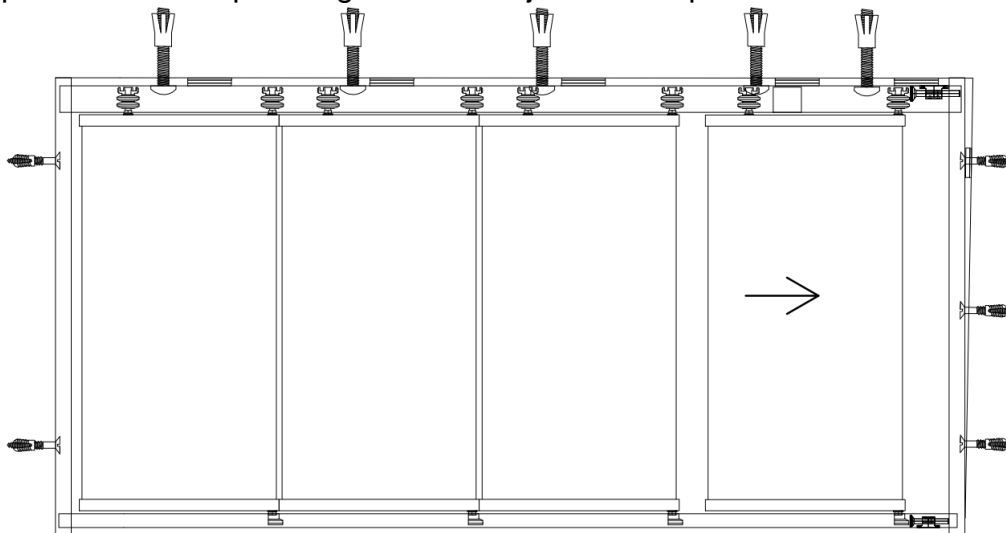
Repeat this process until the 'opening channel' locates properly into the 'opening box', as shown below.

Correct alignment:

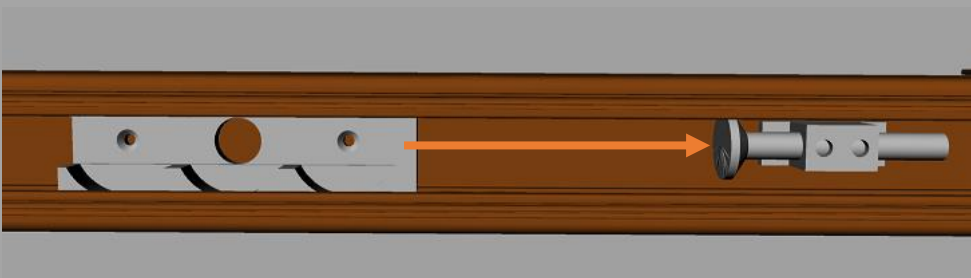


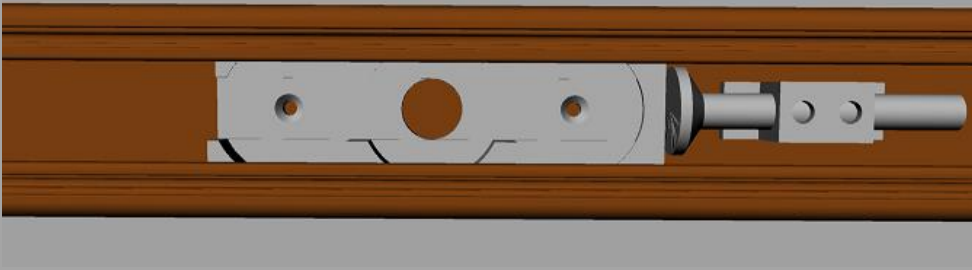
Repeat this process until the 'opening channel' locates properly into the 'opening box'.

When the adjustment on the 'Ezee Lock assembly' has been done, slide the 'opening panel' back into place against the 'adjustable stops'.



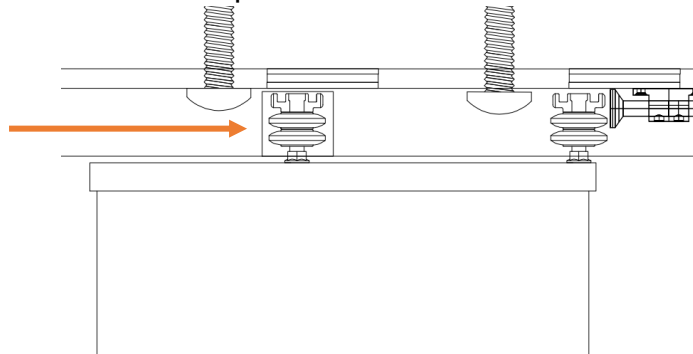
Next open the 'opening panel' 90 degrees in relation to the system. Place the 'hinge strip head' into the 'head profile'. Slide the 'hinge strip head' backwards, so that it locates up against the 'adjustable stop'.





After the 'hinge strip head' is in place and fastened, close the 'opening panel'. Ensure that the 'opening channel' still locates properly into the 'opening box section' when closed.

Next, insert and set the 'Paragon – Ezee lock Opening Wheelset', lining it up with the 'pre-manufactured cut-out' on the 'head profile'.



Ensure that the 'guider arm' and 'cut-out guide' are installed (as per installation manual). All of the panels can now be set according to the 'guider arm', to ensure a smooth opening and closing action when opening the panels.

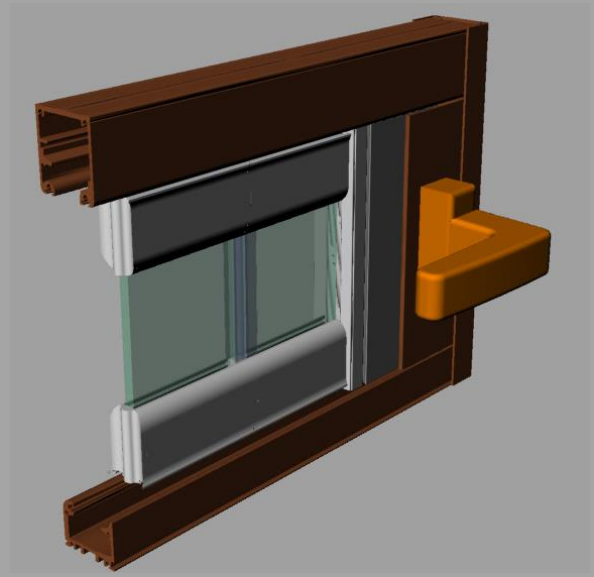
When this has been done, close the 'opening panel' again, ensuring that the 'opening channel' still locates properly into the 'opening box'.

When everything is in order, make sure the 'opening panel' is completely closed. Turn the 'Ezee Lock handle' 90 degrees clockwise for a system opening to the right, and counter clockwise for a system opening to the left.

Open position



Closed position



The forwards movement should then ensure that a proper seal is created between the 'opening panel' and 'second panel'.

Turn the 'Ezee Lock handle' back to its original position and open the 'opening panel'.

Repeat this process of closing and opening the 'opening panel' 2-3 times to ensure smooth operation.

File Name:	Ezee Lock – Installation.doc	Revision:	2
Revision date:	25-May-2016	Page:	14 of 14